



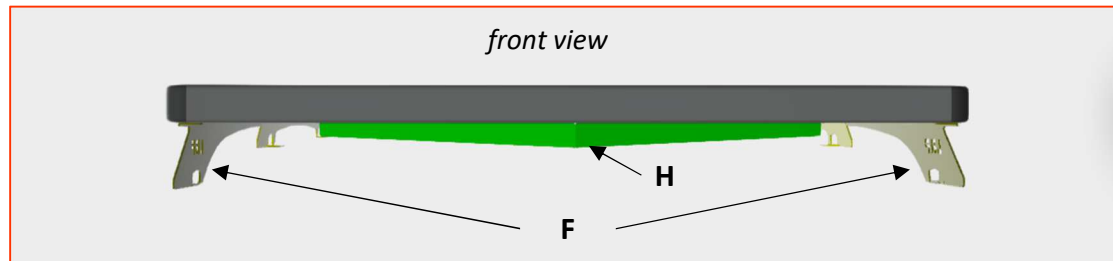
## Roof rack NExT Rack for Discovery 3 e Discovery 4 – Long version

Thank you for purchasing the Land Rover Passion NExT Rack roof rack. The Next Rack has been developed to offer maximum flexibility of use, maintaining the best characteristics of lightness and strength.

The overall measurements are 2160x1260mm but if necessary it can be quickly transformed into the short version (1560x1260mm).

Both the perimeter bars and the loading floor crossbars are equipped with numerous 6mm slots in which standard M6 fixing systems can be used.

The load-bearing cross members can also be positioned as desired according to your needs.

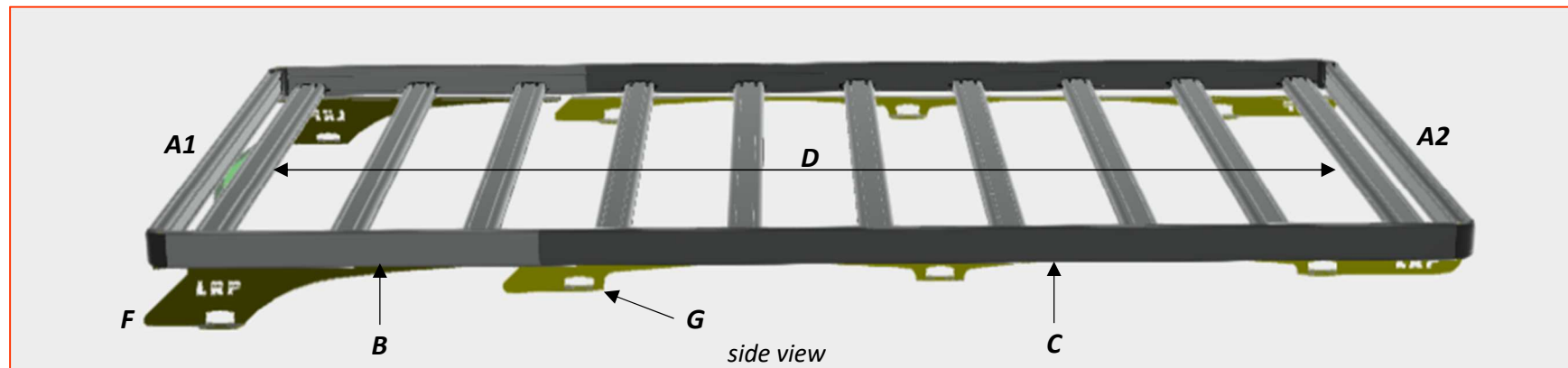
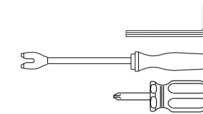


### Kit Contents :

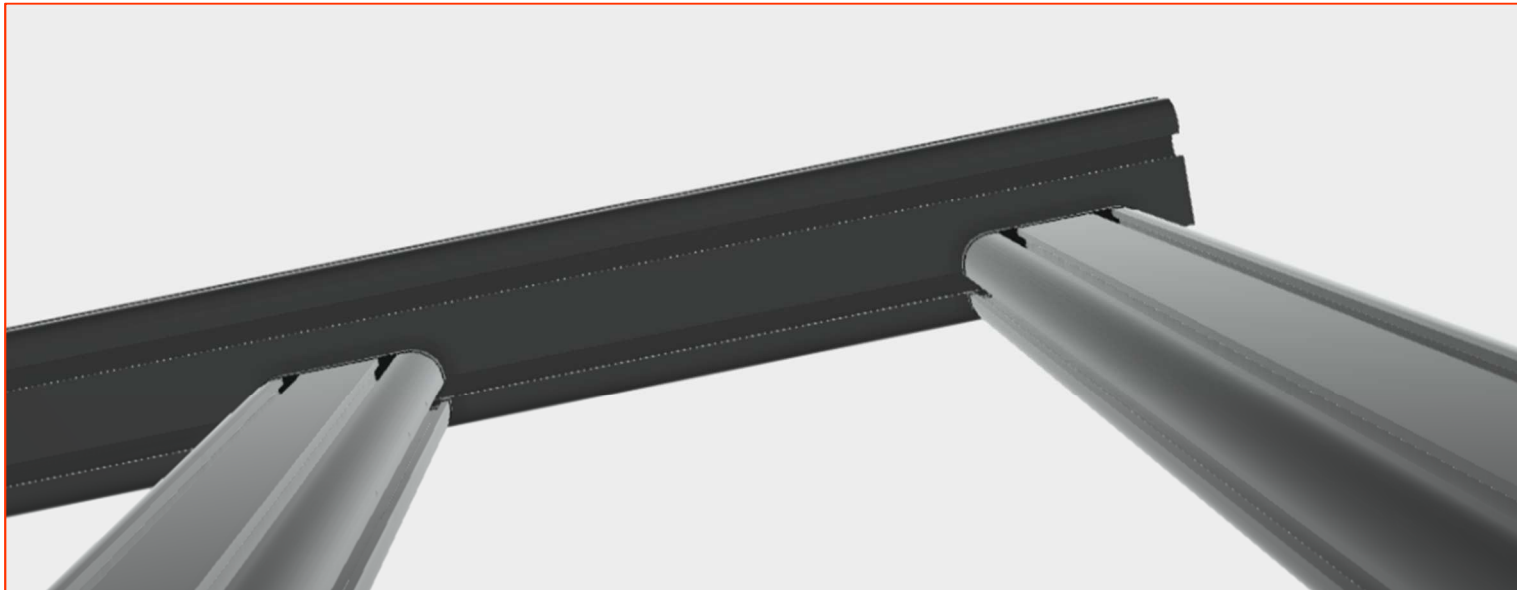
- Nr. 1 front perimeter bar - «A1»
- Nr. 1 rear perimeter bar - «A2»
- Nr. 2 short side perimeter bars - «B»
- Nr. 2 long side perimeter bars - «C»
- Nr. 10 loading floor crossbars - «D»
- Nr. 2 front brackets - «F»
- Nr. 2 rear brackets - «G»
- Nr. 1 wind fairing - «H»
- Nr. 55 M6x14 stainless steel bolts
- Nr. 4 M6 hammerhead bolts
- Nr. 55 - M6 Stainless steel washers

### Strumenti necessari:

- 3mm allen wrench
- 10mm spanner

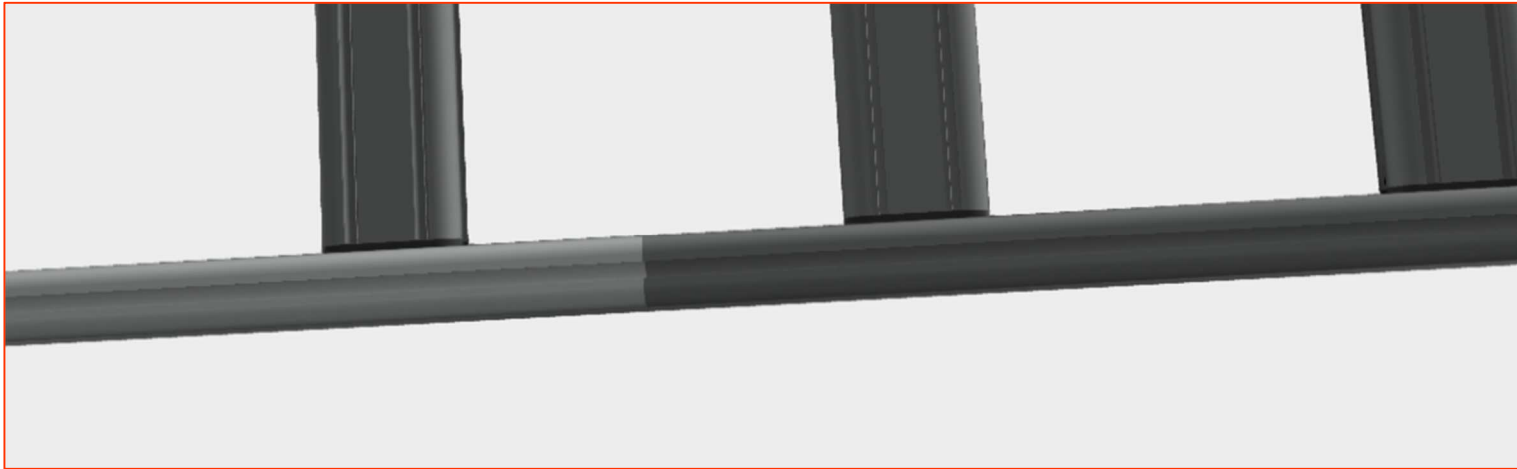


1. Slightly loosen the square nuts of the loading crossbars «D», taking care not to unscrew them completely
2. Align and support the loading crossbars «D» together, placing the side with the slots containing the nuts downwards
3. Slide the long perimeter bar «C», on the side of the crosspieces «D» so that the square nuts fit into the lower slot of the bar «C»

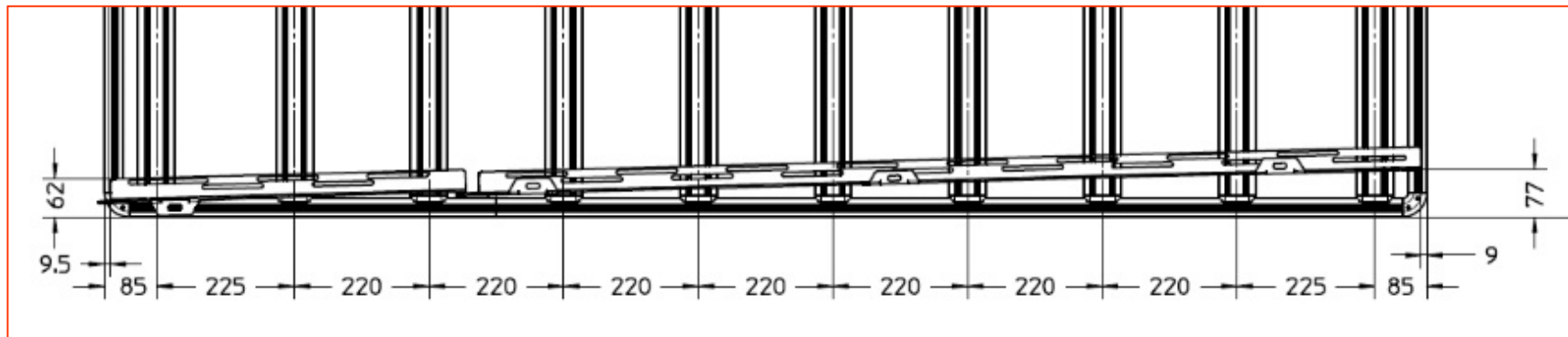


4. Repeat the procedure on the opposite side with the other perimeter bar «C»

5. Take the short perimeter bar «B» and join it to the bar «C» using the fasteners already inserted in the slots



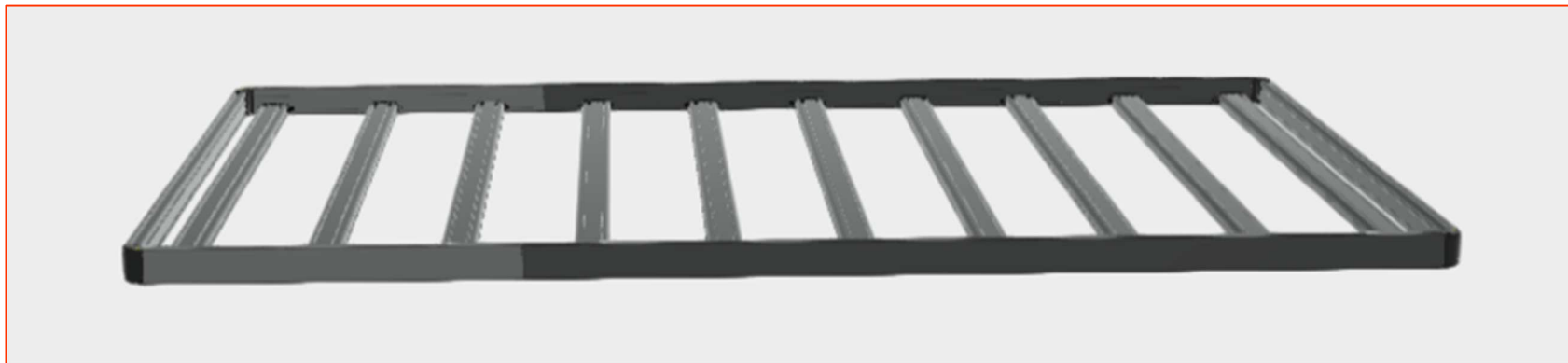
5. Repeat the procedure with the opposite side
6. Slide the 10 crosspieces of the loading platform «D» along the entire rack to distribute them according to your needs. For standard use Land Rover Passion suggests the following measures (mm):



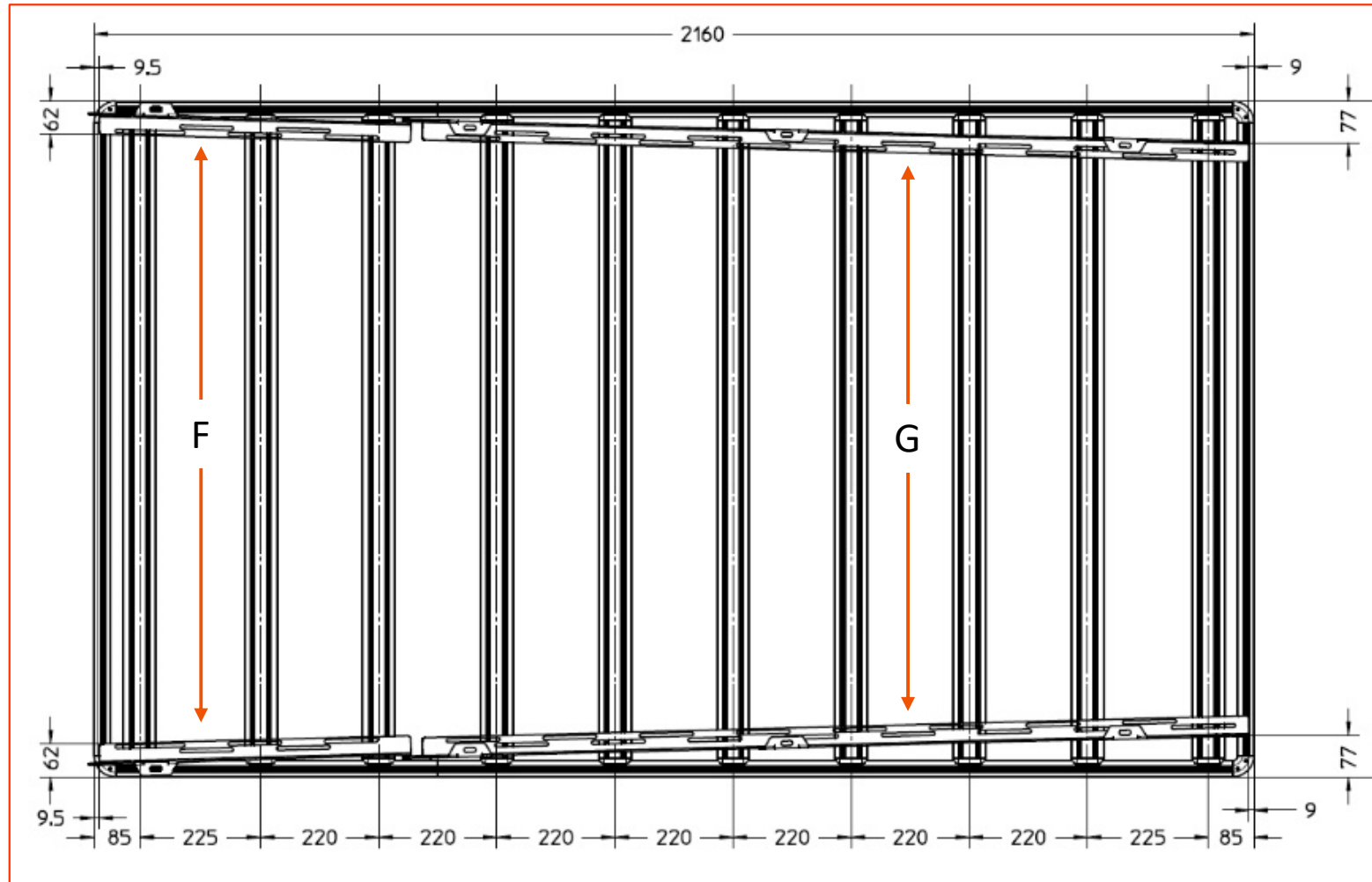
7. Using the 3mm rounded Allen wrench, tighten all "D" sleepers
8. Take the perimeter bar A1 and join it to the lateral perimeter bars.
9. Using the 3mm Allen wrench, tighten the screws in the corner pieces, alternating the upper ones with the lower ones, adjusting the position of the bar so that it remains adhered to the side bars



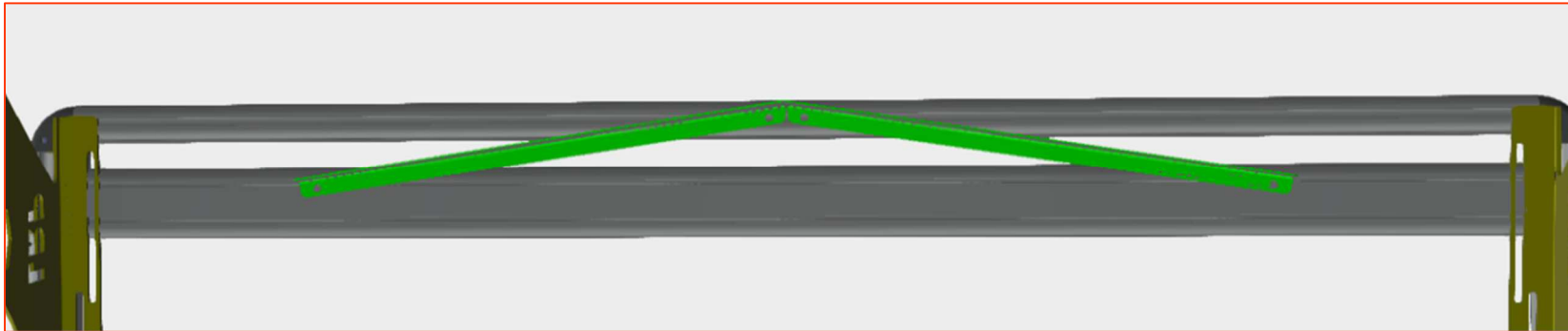
5. Repeat the procedure with the opposite side
7. At this point, the assembly of the main roof rack structure is completed:



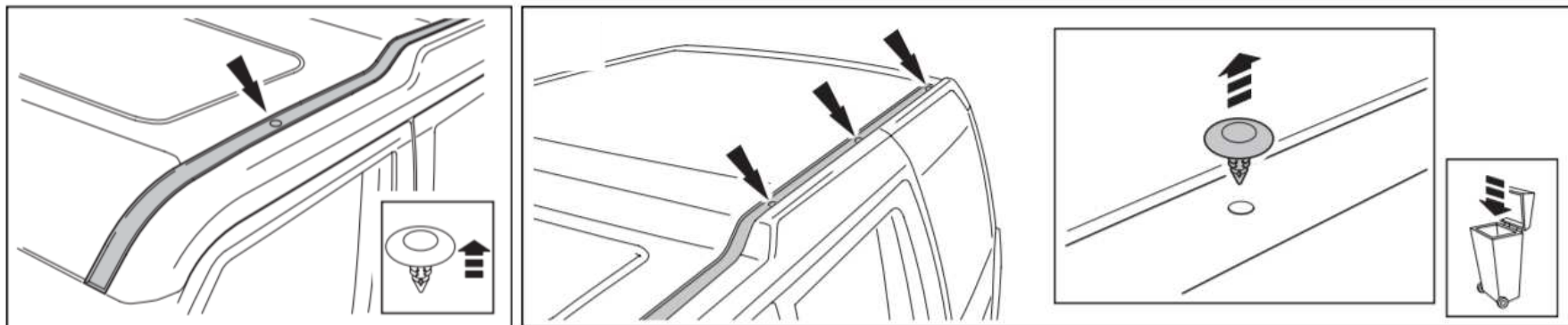
- Turn the structure upside down and, using the M6 bolts and washers supplied, assemble the brackets «F» to the front of the luggage rack and the brackets «G» to the rear part as per the following measurements (mm), without completely tightening the bolts



- Using the hammerhead bolts and the nuts supplied, install the wind fairing «H» to the front perimeter bar «A1» and to the first crosspiece «D» of the loading surface like shown



- If the Roof Rails are installed on the vehicle, remove them as per the manufacturer's instructions and go to step 16
- If the Roof Rails are not installed, remove the fasteners of the gutter covers according to the following Land Rover instructions





## Roof rack NExT Rack for Discovery 3 e Discovery 4 – Long version

16. Gently place the luggage rack on the roof of the vehicle, matching the holes of the brackets «F» and «G» to the fixing arrangements on the roof
17. Using the M6 bolts and washers supplied, secure the roof rack to the vehicle roof
18. Check the correct centering of the rack, and tighten all the bolts that fix the brackets «F» and «G» to the crossbars «D» of the loading surface, previously left loose

Congratulations, your new NExT Rack is now fully installed!

Land Rover Passion offers a series of products for the installation and fixing of accessories on your new luggage rack such as: Ariel mount; Led bar brackets, fixed and adjustable work lights brackets, etc.

For further infos email us to: [info@landroverpassion.com](mailto:info@landroverpassion.com)

