



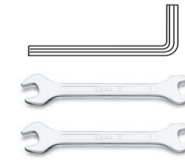
LRP003004 Discovery 4 small dash panel – assembly instruction

Package Contents:

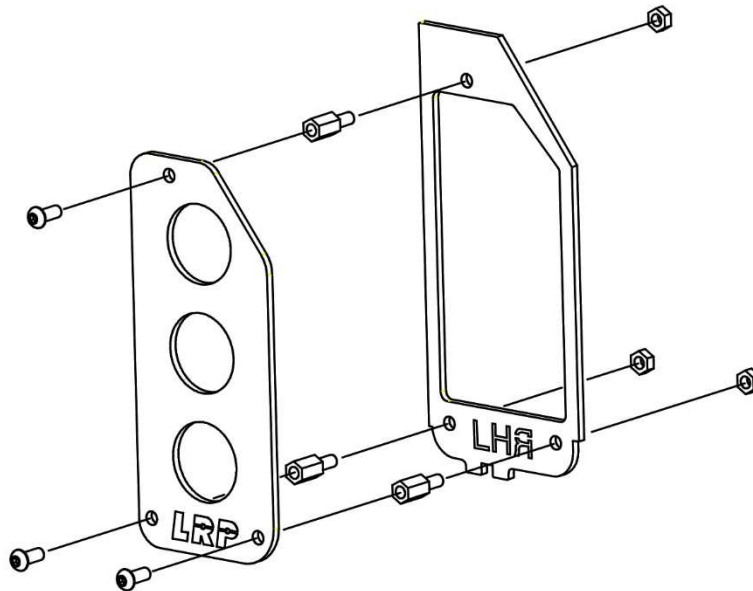
- Nr. 1 – Panel frame
- Nr. 1 – Panel for switch/tools
- Nr. 3 - M3 Self locking nuts
- Nr. 3 – M3 button head screw
- Nr. 3 – Spacers nuts

Tools required:

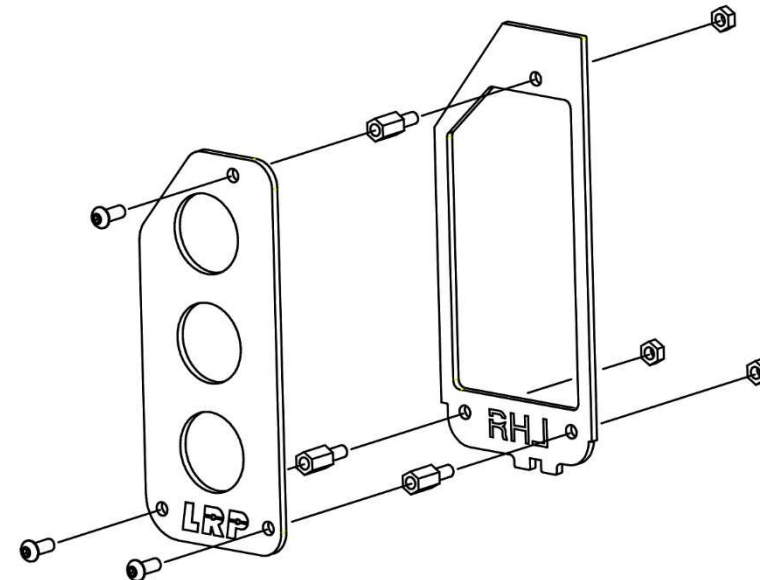
- Allen wrench 2mm
- #5 wrench key
- #5.5 wrench key




Left hand drive
vehicle assembly



Right hand drive
vehicle assembly



watch the installation video on LRP  YouTube channel