

Roof rack for Discovery 3 e Discovery 4 – Fitting Guide

Thank you for purchasing the Land Rover Passion Out - Rack Ultra slime roof rack.

It has been developed to offer maximum flexibility of use, maintaining the best characteristics of lightness and strength.

The overall measurements are 2160x1280mm but if necessary it can be quickly transformed into the short version (1560x1280mm).

Both the lateral bars and the loading crossbars are equipped with 6mm slots in which standard M6 fixing systems can be used.

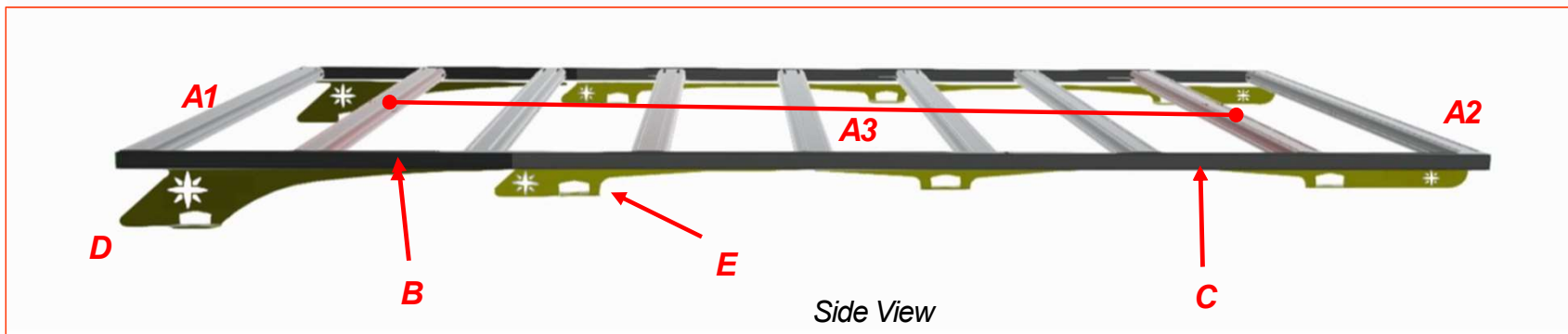
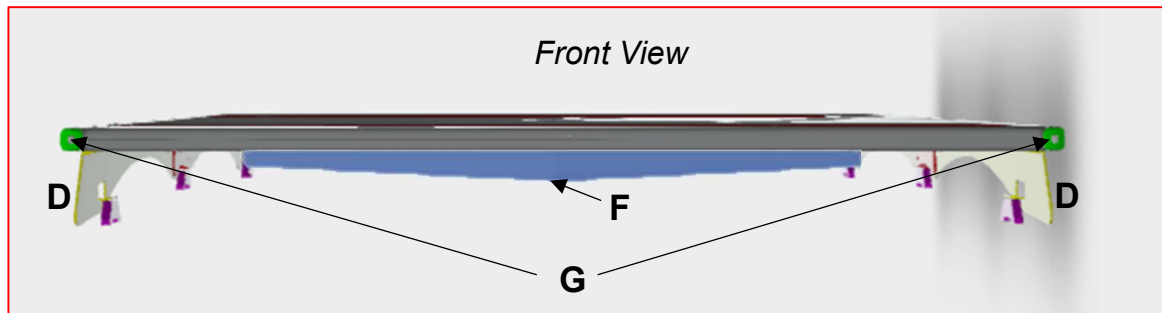
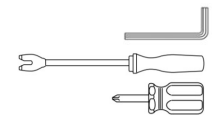
The load cross bars can also be positioned as desired according to your needs.

Kit Contents :

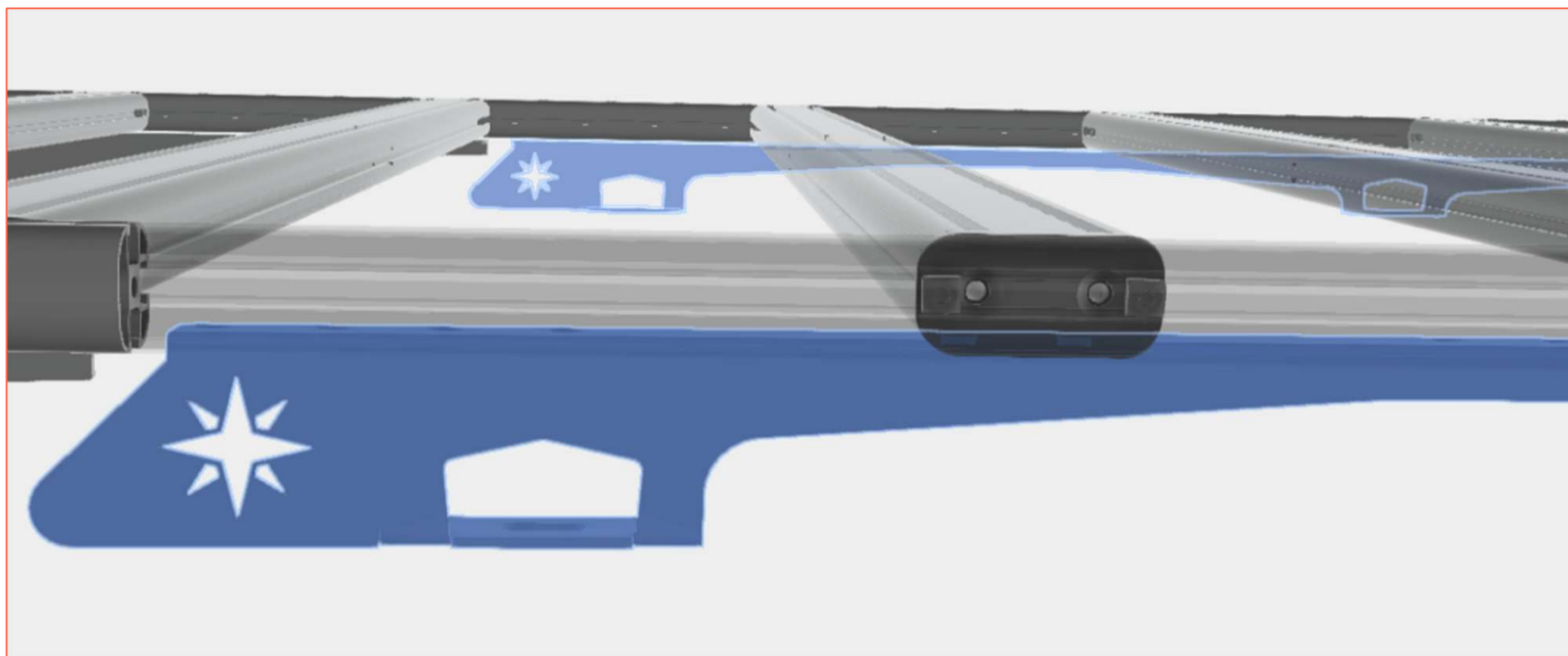
- Nr. 1 front crossbar - **A1**
- Nr. 1 rear crossbar - **A2**
- Nr. 7 loading crossbars - **A3**
- Nr. 2 short side bars - **B**
- Nr. 2 long side bars - **C**
- Nr. 2 front brackets - **D**
- Nr. 2 rear brackets - **E**
- Nr. 1 wind deflector – **F**
- Nr. 4 corner plates **G**
- Nr. 2 120mm linear joint
- Nr. 2 60mm linear joint
- Nr. 4 M6 button head screws
- Nr. 34 M6 bolts
- Nr. 26 M6 stop locking nuts
- Nr. 8 M6 Stainless steel washers
- Nr. 4 M6 eye bolts

Required tools

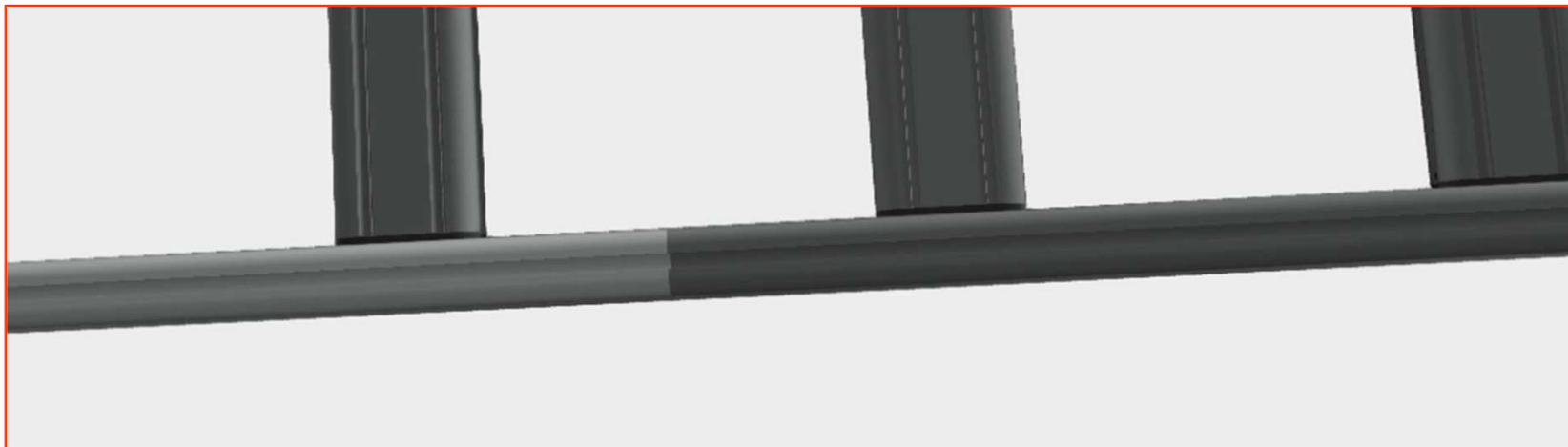
- 3mm allenwrench
- 10mm spanner



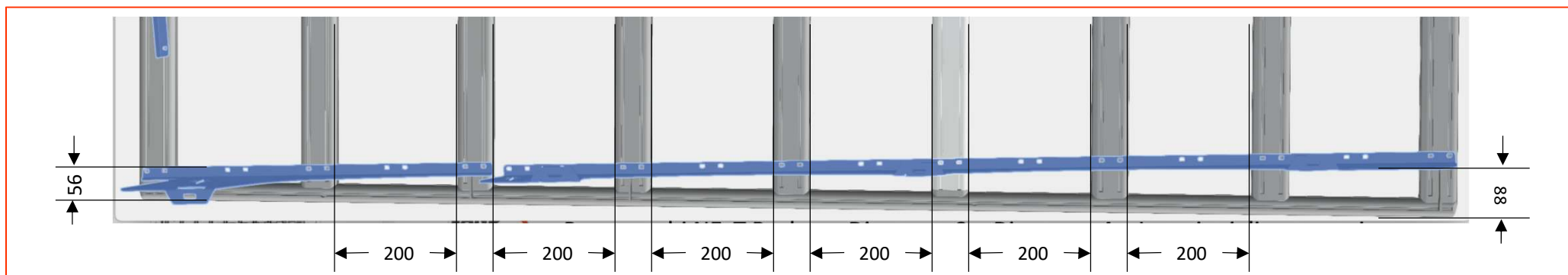
1. Slightly unscrew the square nuts of the loading crossbars **A1**; **A2** and **A3**, taking care not to unscrew them completely
2. Slide the long side bar **C** on the side of the crossbars **A3** so that the square nuts fit into the slot of the bar **C**. Keep external the side without slot
3. Repeat the procedure on the opposite side with the other side bar **C**



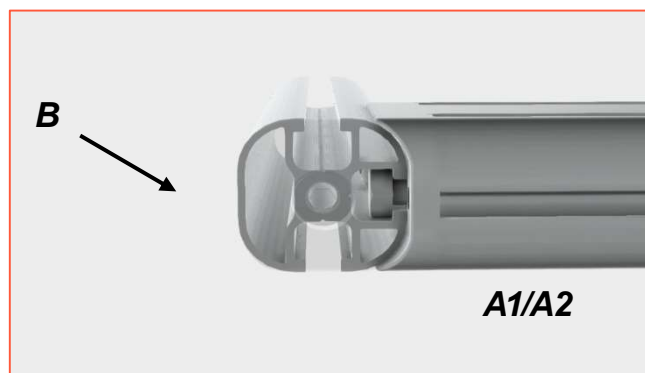
4. Take the short side bar **B** and join it to the bar **C** using the linear joint already inserted into the slots. Keep 120mm linear joint on the upper slot and 60mm linear joint into the lower



5. Repeat the procedure with the opposite side
6. Slide the 7 crossbar **A3** of the loading floor along the entire rack to distribute them according to your needs. For standard use, compatible with Out-Rack official accessories, Land Rover Passion suggests the following measures (mm):

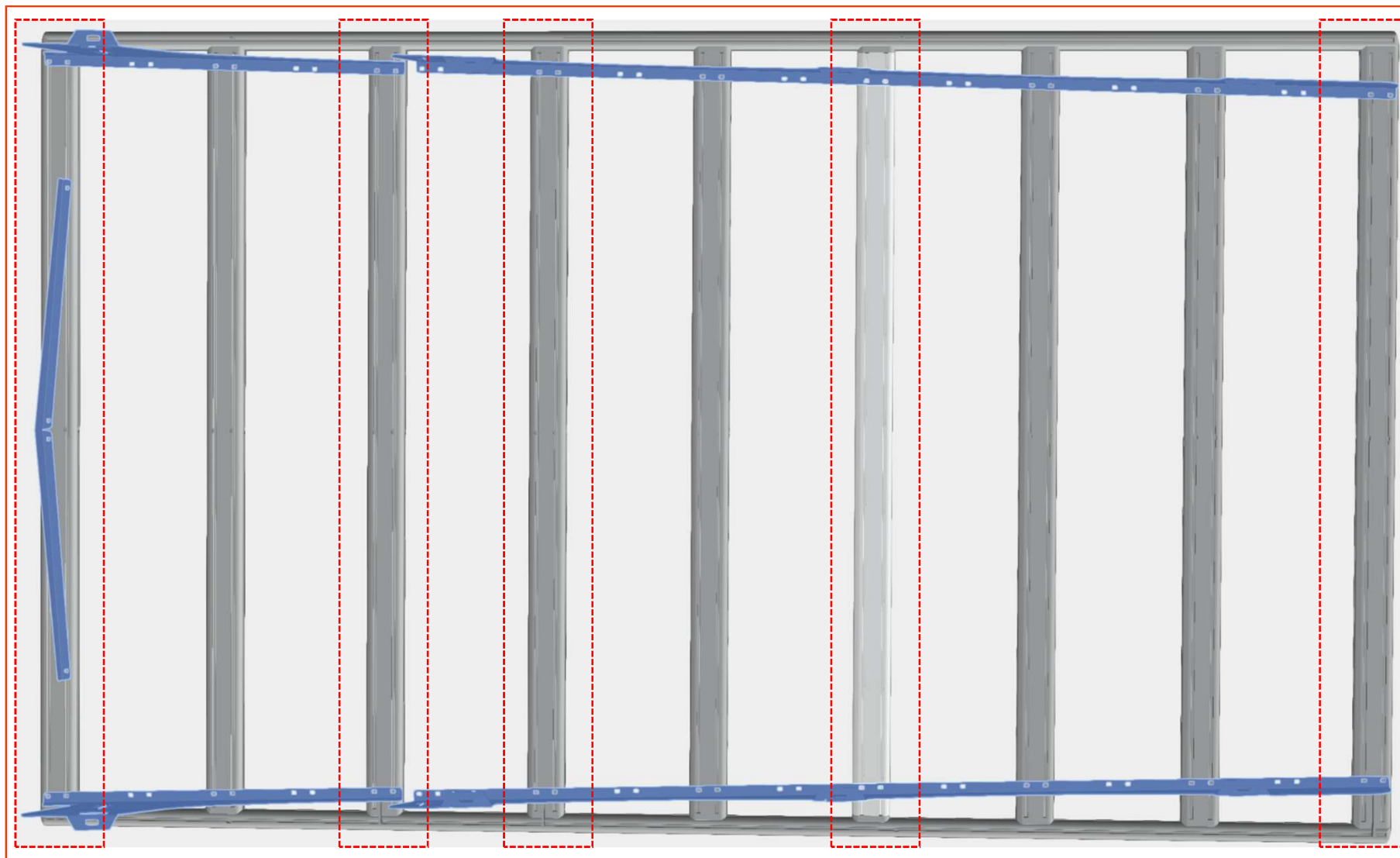


7. Take the crossbar **A1** and **A2** (first and last crossbar of the loading floor) and join it to the side bars
8. Using the 3mm Allen wrench, tighten the screws present in the corners, adjusting the position of the bar so that it remains snug and flush with the side bars



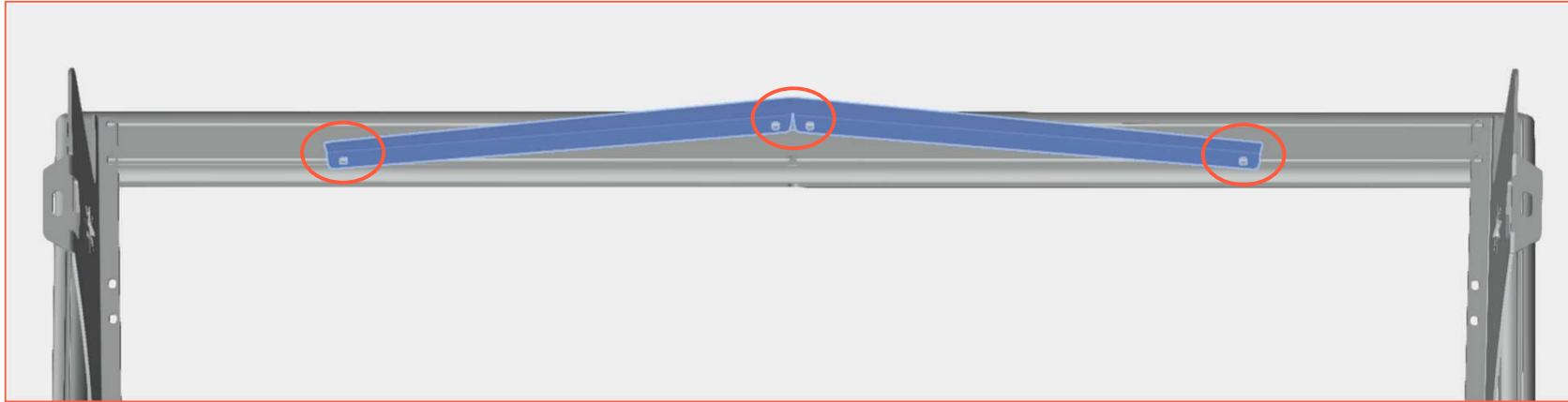
9. Repeat the procedure for each corner
10. At this point, the assembly of the main roof rack structure is completed

11. Insert 2 M6x14 bolts inside each slots of the signed crossbas and, using the M6 stop locking nut supplied, assemble the brackets **D** in front of the rack and the brackets **E** to the rear part like shown without completely tightening it

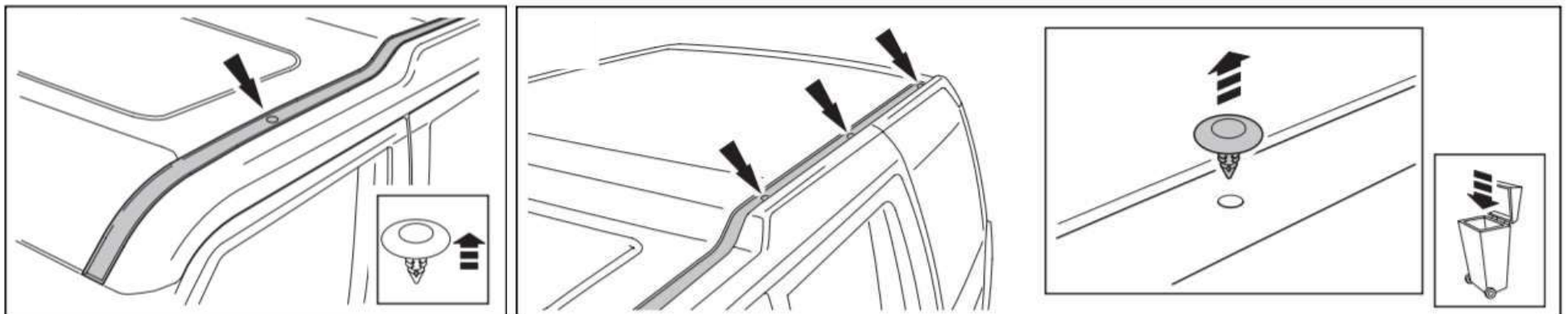


Roof rack for Discovery 3 e Discovery 4 – Fitting Guide

12. Insert 2 M6x14 bolts inside each slots of the A1 crossbar bolts and, using the M6 stop locking nut supplied, assemble and the front wind deflector F



13. If long or short Roof Rails are installed on the vehicle, remove them as per the manufacturer's instructions and go to the next step
14. If the Roof Rails are not installed, remove the fasteners of the gutter covers according to the following Land Rover instructions. Now you're ready to place your rack on your vehicle roof



15. Gently place the rack on the roof of the vehicle, matching the holes of the brackets **D** and **E** to the existing fixing on the roof
16. Using the M6 bolts and washers supplied, secure the roof rack to the vehicle roof
17. Check the correct centering of the rack
18. Tighten all the bolts that secure the crossbars **A1**; **A2** and **A3** to the **D** and **E** brackets
19. Tighten all the screws that secure the crossbar **Ax** to the side profiles **B** and **C**

Congratulations!
Your new Out-Rack is now fully installed and operating!



CAUTION

Periodically check the proper tightening of all parts

Out-Rack offers a range of products for the installation of accessories on your new roof rack such as: Aerial mount, LED bar, fixed and adjustable work lights and more.

Do you need a custom solution? Don't hesitate to tell us your needs!

For further information email us to: info@ou-rack.com

